



FELSIG 200
RY-200FS



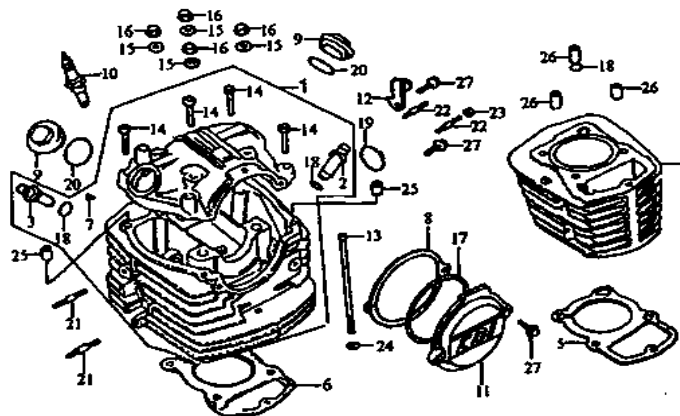
SPARES

ENGINE PARTS

INDEX

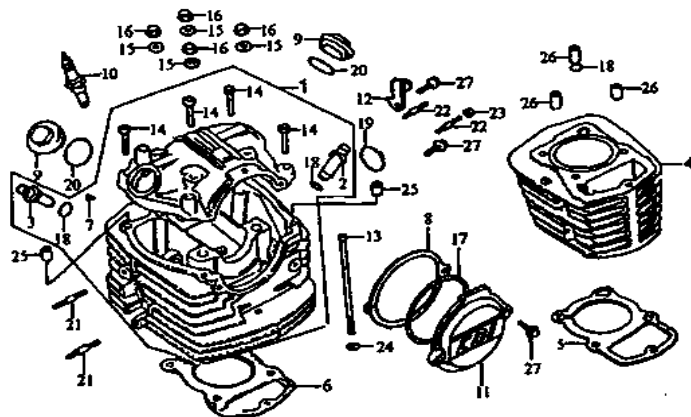
ASSY NO.	DESCRIPTION	PAGE NO.
A1	CYLINDER BLOCK/CYLINDER HEAD ASSY	1-2
A2	VALVE/CAM SHAFT ASSY	3-4
A3	TIMING CHAIN ASSY	5
A4	CRANKSHAFT ASSY	6-7
A5	CRANKCASE ASSY	8-9
A6	OIL PUMP/OIL FILTER ASSY	10
A7	CLUTCH ASSY	11
A8	RIGHT CRANKCASE COVER	12-13
A9	TRANSMISSION ASSY	14-17
A10	GEAR SHAFT ASSY	18-19
A11	LEFT CRANKCASE COVER/MAGNETO ASSY	20-21
A12	STARTING MOTOR ASSY	22

A1 - CYLINDER BLOCK/CYLINDER HEAD ASSY



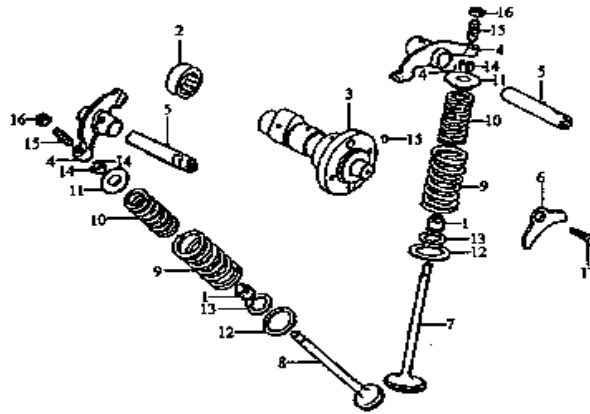
S.NO.	PART CODE	DESCRIPTION	QUANTITY
A1 - 1	301A010	CYLINDER HEAD COMP	1
A1 - 2	F00A011	INTAKE VALVE GUIDE	1
A1 - 3	F00A012	EXHAUST VALVE GUIDE	1
A1 - 4	H06A038	CYLINDER BLOCK	1
A1 - 5	301B011	GASKET, CYLINDER BLOCK	1
A1 - 6	H06B018	GASKET, CYLINDER HEAD	1
A1 - 7	F03C012	PLUG	1
A1 - 8	F03B016	SEAL, LEFT COVER	1
A1 - 9	F03A033	VALVE COVER	2
A1 - 10	F00D041	SPARK PLUG D8TC	1
A1 - 11	F02A033	LEFT COVER	1
A1 - 12	F03L039	CLAMP	1
A1 - 13	F03M019	BOLT M6×110	1
A1 - 14	578306035	SCREW M6×35	4
A1 - 15	F00L002	WASHER Ø8×Φ18×2.5	4

A1 - CYLINDER BLOCK/CYLINDER HEAD ASSY



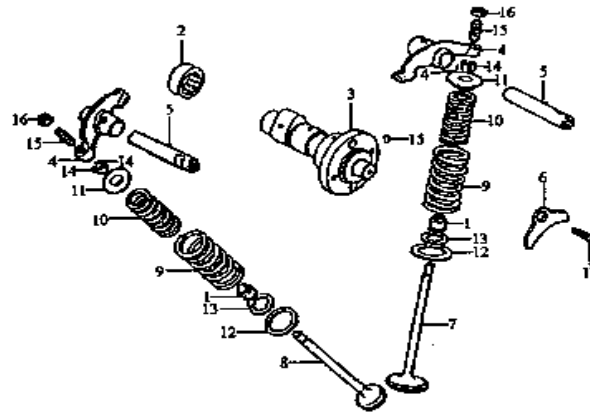
S.NO.	PART CODE	DESCRIPTION	QUANTITY
A1 - 16	923080000	CAP NUT M8	4
A1 - 17	F03C070	O-RING 75×2.5	1
A1 - 18	F00C010	O-RING 10×1.6	2
A1 - 19	F00C050	O-RING 33.5×3	1
A1 - 20	F00C057	O-RING 75×2.5	2
A1 - 21	F00M007	STUD M6×35	1
A1 - 22	F04M010	STUD M6×28	2
A1 - 23	6170060000	NUT M6	3
A1 - 24	D00L017	WASHER φ6	1
A1 - 25	97008014	PIN 8×14	1
A1 - 26	97010020	PIN 10×20	1
A1 - 27	96006020	BOLT M6×20	3

A2 - VALVE/CAM SHAFT ASSY



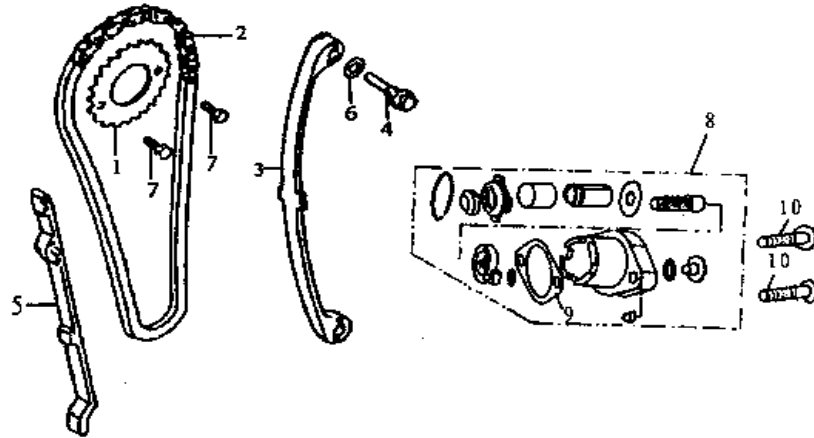
S.NO.	PART CODE	DESCRIPTION	QUANTITY
A2 - 1	F00C053	OIL SEAL	1
A2 - 2	F03F021	BEARING 6203	1
A2 - 3	301F030	CAMSHAFT	1
A2 - 4	F03F010	ROCKER ARM	1
A2 - 5	F03F015	SHAFT, ROCKER ARM	1
A2 - 6	F03L003	LOCATOR PLATE	1
A2 - 7	302F045	INLET VALVE	1
A2 - 8	302F039	EXHAUST VALVE	1
A2 - 9	F03H003	VALVE SPRING, OUTER	2
A2 - 10	F03H004	VALVE SPRING, INNER	2
A2 - 11	F03F034	RETAINER, VALVE SPRING	2
A2 - 12	F00F031	SEAT, VALVE SPRING OUTER	1
A2 - 13	F00F032	SEAT, VALVE SPRING INNER	1
A2 - 14	F00F033	CLAMP	1
A2 - 15	F00F001	SCREW, VALVE CLEARANCE ADJUSTMENT	1

A2 - VALVE/CAM SHAFT ASSY



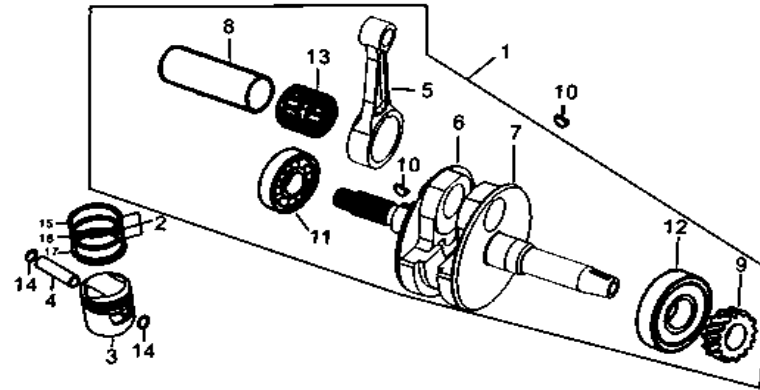
S.NO.	PART CODE	DESCRIPTION	QUANTITY
A2 - 16	F00F022	NUT,VALVE CLEARANCE ADJUSTMENT	1
A2 - 17	578306020	SCREW M6x20	1

A3 - TIMING CHAIN ASSY



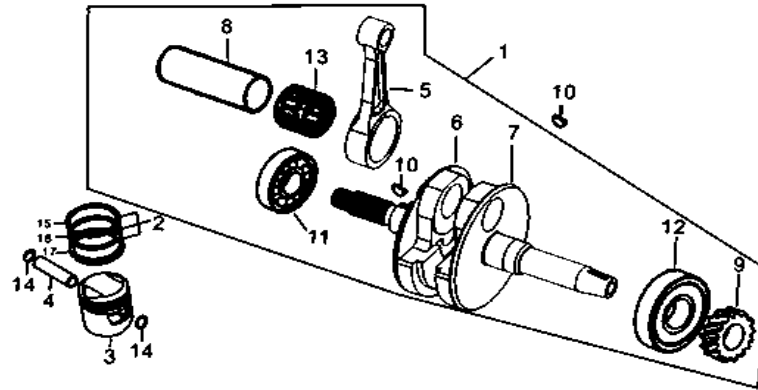
S.NO.	PART CODE	DESCRIPTION	QUANTITY
A3 - 1	301F021	TIMING DRIVEN SPROCKET	1
A3 - 2	H06F022	TIMING CHAIN	1
A3 - 3	F03C016	ADJUSTING PLATE	1
A3 - 4	F03L020	LOCATING PIN	1
A3 - 5	F03C017	GUIDE PLATE	2
A3 - 6	D00L030	WASHER	1
A3 - 7	578306010	BOLT M6×10	1
A3 - 8	F032F014	TENSIONER ASSY	1
A3 - 9	F03B004	GASKET, TENSIONER	2
A3 - 10	96006016	BOLT M6×16	2

A4 - CRANKSHAFT ASSY



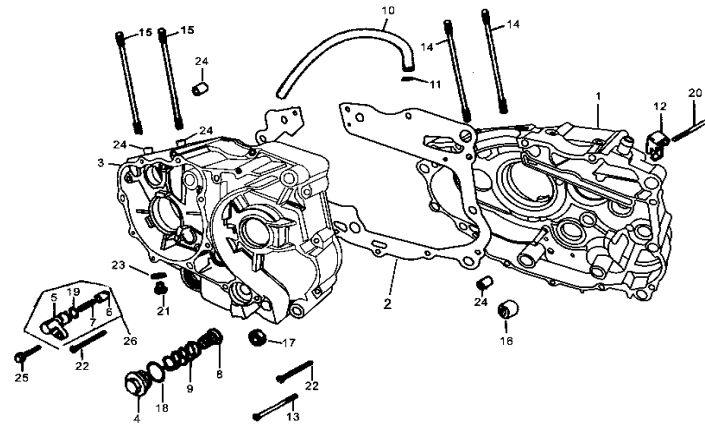
S.NO.	PART CODE	DESCRIPTION	QUANTITY
A4 - 1	H11J000	CRANK SHAFT ASSY	1
A4 - 2	H09J013	PISTON RING SET	1
A4 - 3	H091J014	PISTON	1
A4 - 4	F00J012	PISTON PIN	1
A4 - 5	H11J004	CONNECTING ROD	1
A4 - 6	H11J005	CRANKSHAFT,R	1
A4 - 7	H11J006	CRANKSHAFT,L	1
A4 - 8	H11J007	PIN,CRANK SHAFT	1
A4 - 9	F00J003	DRIVE GEAR,TIMING	1
A4 - 10	308J001	WOODRUFF KEY	2
A4 - 11	2766328	BEARING	1
A4 - 12	2766328RS	BEARING	1
A4 - 13	H11J008	ROLLER BEARING	1
A4 - 14	F00J011	CIRCLIP	2
A4 - 15	H09J009	PISTON RING NO.1	1

A4 - CRANKSHAFT ASSY



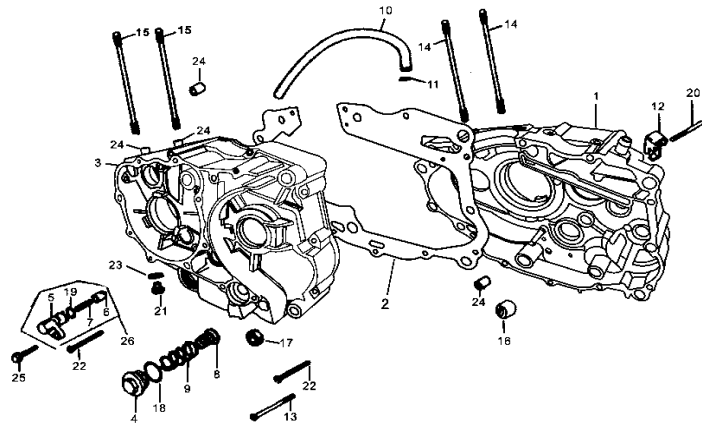
S.NO.	PART CODE	DESCRIPTION	QUANTITY
A4 - 16	H09J010	PISTON RING NO.2	1
A4 - 17	H09J015	PISTON RING COMBINATION	1

A5 - CRANKCASE ASSY



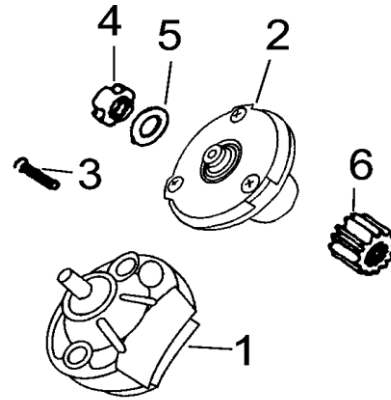
S.NO.	PART CODE	DESCRIPTION	QUANTITY
A5 - 1	308A020	RIGHT CRANKCASE COMP	1
A5 - 2	308B005	GASKET	1
A5 - 3	308A010	LEFT CRANKCASE COMP	1
A5 - 4	F03A032	OIL FILTER COVER	1
A5 - 5	302F017	PRESSURE PIN	1
A5 - 6	302F018	PIN	1
A5 - 7	302H010	SPRING	1
A5 - 8	F00C037	STRAINER, OIL FILTER COMP.	1
A5 - 9	F00H008	SPRING	1
A5 - 10	F00C024	EXHAUST PIPE	1
A5 - 11	F00L013	CLIP	1
A5 - 12	F031L031	STAY, CLUTCH CABLE	1
A5 - 13	96006095	BOLT M6×95	1
A5 - 14	H09M001	STUD A M8×235	2
A5 - 15	H09M002	STUD B M8×222	2

A5 - CRANKCASE ASSY



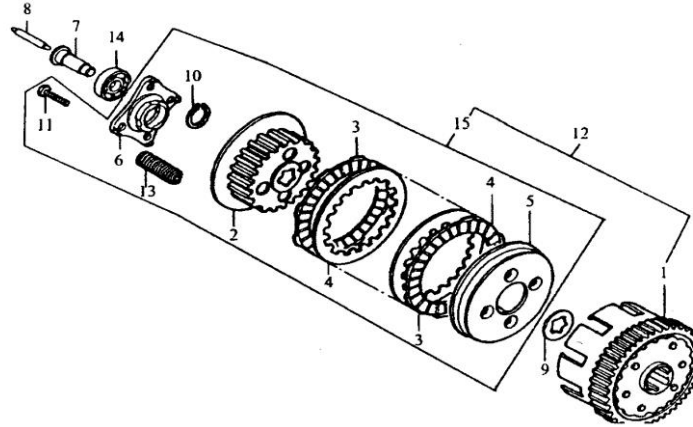
S.NO.	PART CODE	DESCRIPTION	QUANTITY
A5 - 16	2901512	NEEDLE BEARING HK 152312	1
A5 - 17	F00C046	OIL SEAL 14×28×7	1
A5 - 18	F00C050	O-RING 35.5×3	1
A5 - 19	F00C068	O-RING 13×25	1
A5 - 20	96006055	BOLT M6×55	1
A5 - 21	F01E026	DRAIN PLUG	1
A5 - 22	96006050	BOLT M6×50	9
A5 - 23	D00L022	WASHER FOR DRAIN PLUG	1
A5 - 24	97010014	DOWEL PIN 10×14	4
A5 - 25	96006025	BOLT M6×25	1
A5 - 26	302F016	PRESSURE PIN COMP	1

A6 - OIL PUMP/OIL FILTER ASSY



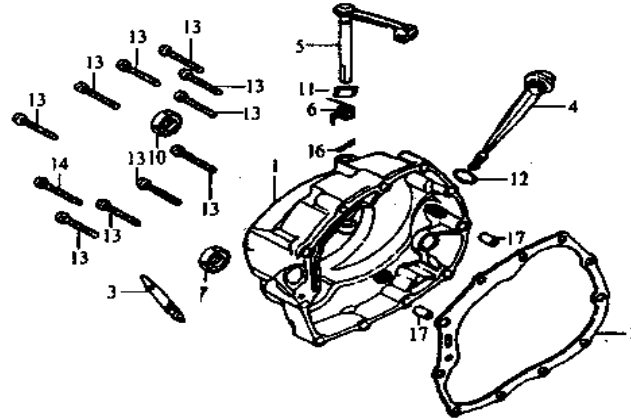
S.NO.	PART CODE	DESCRIPTION	QUANTITY
A6 - 1	308E000	OIL PUMP ASSY	1
A6 - 2	308E010	OIL FILTER COMP	1
A6 - 3	81906030	SCREW M6×30	2
A6 - 4	A00G055	NUT	1
A6 - 5	F00G052	THRUST-WASHER	1
A6 - 6	F02K015	DRIVEN GEAR	1

A7 - CLUTCH ASSY



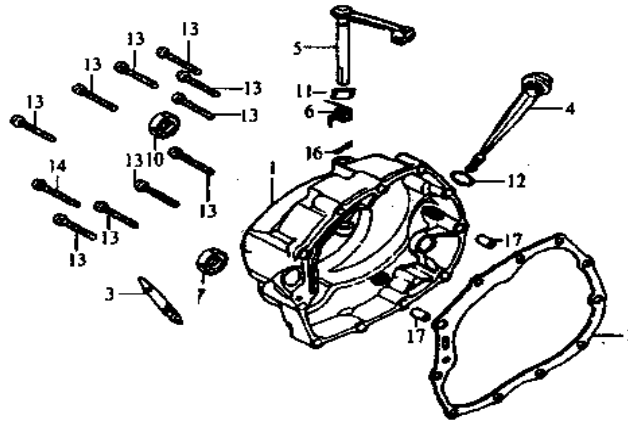
S.NO.	PART CODE	DESCRIPTION	QUANTITY
A7 - 1	H09G004	OUTER COMP,CLUTCH	1
A7 - 2	H09G005	CENTER SLEEVE, CLUTCH	1
A7 - 3	H09G001	CLUTCH FRICTION PLATE	5
A7 - 4	H09G012	CLUTCH PLATE	4
A7 - 5	H09G041	PRESSURE PLATE	1
A7 - 6	H09G160	END COVER, CLUTCH	1
A7 - 7	F032G163	SEPARATING AXLE SLEEVE	1
A7 - 8	F00L053	ROD, CLUTCH PUSH	1
A7 - 9	F00L053	WASHER	1
A7 - 10	F00G030	CIRCLIP 17 MM	1
A7 - 11	578306035	BOLT M6×35	4
A7 - 12	H09G000	CLUTCH BODY ASSY	1
A7 - 13	F00G002	SPRING	4
A7 - 14	2766001	BEARING 6001	1
A7 - 15	H09G060	CLUTCH DISC COMP	1

A8 - RIGHT CRANKCASE COVER



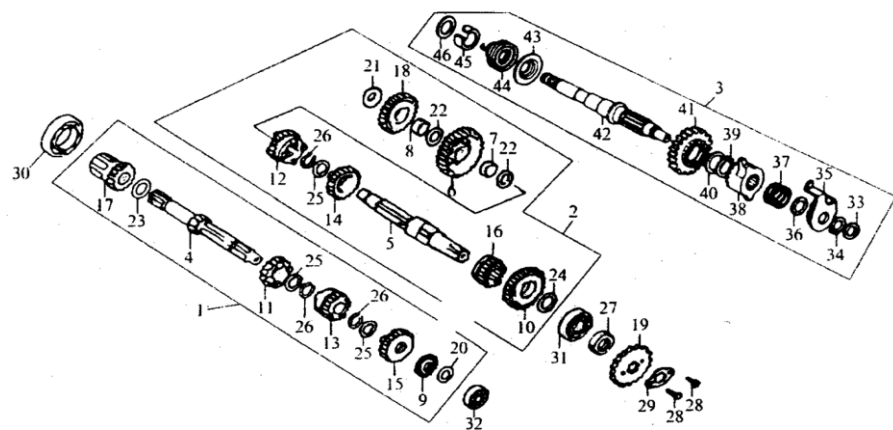
S.NO.	PART CODE	DESCRIPTION	QUANTITY
A8 - 1	308A034RF	RIGHT CRANKCASE COVER	1
A8 - 2	308B002	GASKET	1
A8 - 3	F00K011	OUTPUT SHAFT	1
A8 - 4	F00C038	DIPSTICK OIL GAUGE	1
A8 - 5	F032G010	CLUTCH ROD	1
A8 - 6	F031H007	SPRING	1
A8 - 7	F032G027	CLUTCH CAM	1
A8 - 8	F00K012	WASHER	1
A8 - 9	F00C025	OIL SEAL 6.5×14×7	1
A8 - 10	F00C015	OIL SEAL 16×28×7	1
A8 - 11	F00C048	O-RING 6.8×1.9	1
A8 - 12	D00L060	O-RING 18×3	1
A8 - 13	96006040	SCREW M6×40	10
A8 - 14	96006050	SCREW M6×50	1
A8 - 15	82005025	SCREW M5×25	1

A8 - RIGHT CRANKCASE COVER



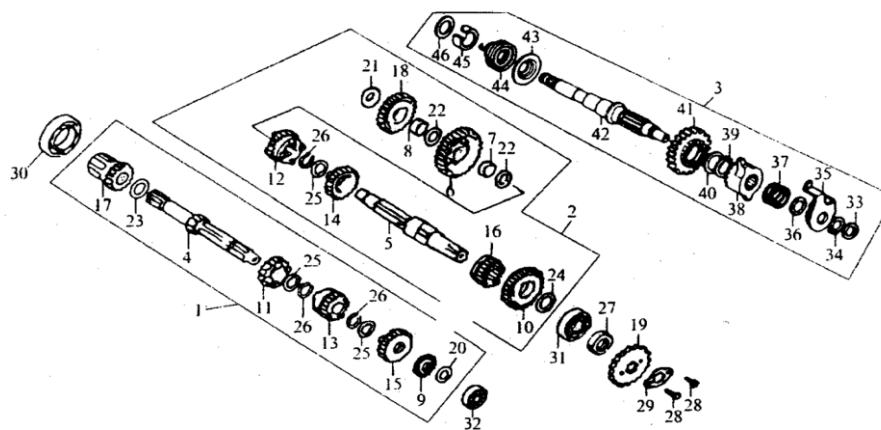
S.NO.	PART CODE	DESCRIPTION	QUANTITY
A8 - 16	F00G047	COTTER PIN 2×30	1
A8 - 17	97008014	DOWEL PIN 8×14	2

A9 - TRANSMISSION ASSY



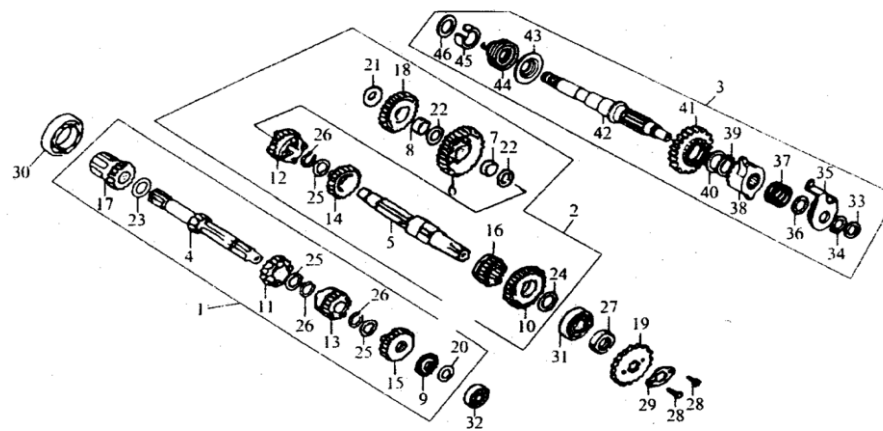
S.NO.	PART CODE	DESCRIPTION	QUANTITY
A9 - 1	H11K030	MAIN SHAFT ASSY	1
A9 - 2	3022K040	COUNTER SHAFT ASSY	1
A9 - 3	F00I000	KICK STARTER SHAFT ASSY	1
A9 - 4	H11K031	MAIN SHAFT	1
A9 - 5	302K041	COUNTERSHAFT	1
A9 - 6	302K042	FIRST GEAR,COUNTERSHAFT	1
A9 - 7	F00K043	BUSH	1
A9 - 8	F00K044	BUSH	1
A9 - 9	H11K032	SECOND GEAR,MAIN SHAFT	1
A9 - 10	302K045	SECOND GEAR,COUNTERSHAFT	1
A9 - 11	H11K033	THIRD GEAR,MAIN SHAFT	1
A9 - 12	302K046	THIRD GEAR,COUNTERSHAFT	1
A9 - 13	H11K034	FOURTH GEAR,MAIN SHAFT	1
A9 - 14	302K047	FOURTH GEAR,COUNTERSHAFT	1
A9 - 15	H11K035	FIFTH GEAR,MAIN SHAFT	1

A9 - TRANSMISSION ASSY



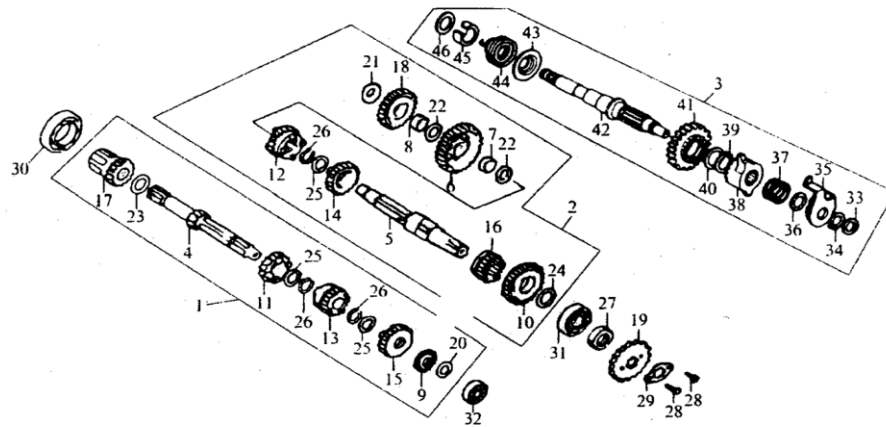
S.NO.	PART CODE	DESCRIPTION	QUANTITY
A9 - 16	302K048	FIFTH GEAR,COUNTERSHAFT	1
A9 - 17	F00K036	STARTING GEAR, MAIN SHAFT	1
A9 - 18	F00K049	STARTING GEAR, COUNTER SHAFT	1
A9 - 19	F002K014	OUTPUT SPROCKET	1
A9 - 20	H09K037	WASHER	1
A9 - 21	F00K038	WASHER	1
A9 - 22	F00K039	WASHER	2
A9 - 23	F00K050	WASHER	1
A9 - 24	F00K051	WASHER	1
A9 - 25	F00K052	SPLINE WASHER	3
A9 - 26	F00K053	CIRCLIP	3
A9 - 27	F00K042	OIL SEAL 20×34×7	1
A9 - 28	578306010	BOLT M6×10	1
A9 - 29	F00K013	LOCATING PLATE, SPROCKET	1
A9 - 30	2766006	BEARING 6106	1

A9 - TRANSMISSION ASSY



S.NO.	PART CODE	DESCRIPTION	QUANTITY
A9 - 31	2766204	BEARING 6204	1
A9 - 32	2766202RS	BEARING 6202RS	1
A9 - 33	F00I001	WASHER	1
A9 - 34	F00I002	CIRCLIP 16 MM	1
A9 - 35	F00I003	RATCHET GUIDE	1
A9 - 36	F00I004	WASHER	1
A9 - 37	F00I005	RATCHET SPRING	1
A9 - 38	F00I006	RATCHET GEAR	1
A9 - 39	F00I007	CIRCLIP 20 MM	1
A9 - 40	F00I008	WASHER	1
A9 - 41	F00I009	STARTING GEAR	1
A9 - 42	F00I010	STARTING SHAFT	1
A9 - 43	F00I011	SPRING SEAT	1
A9 - 44	F00I012	RESET SPRING	1
A9 - 45	F00I013	SPRING SLEEVE	1

A9 - TRANSMISSION ASSY

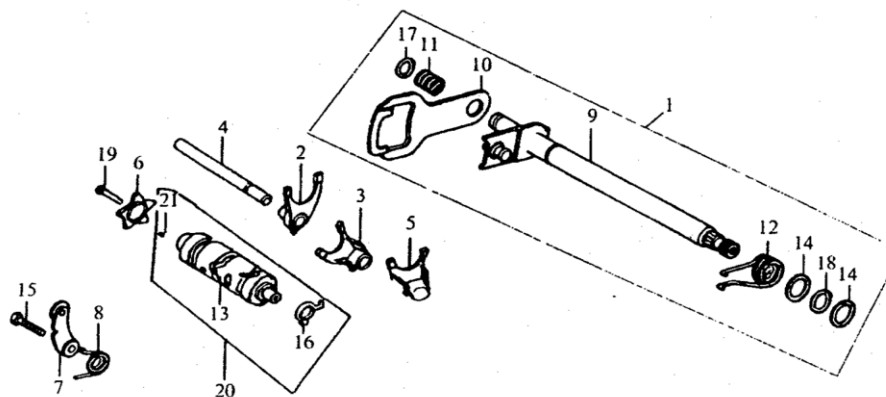


S.NO. **PART CODE**
A9 - 46 FOIO14

DESCRIPTION
WASHER

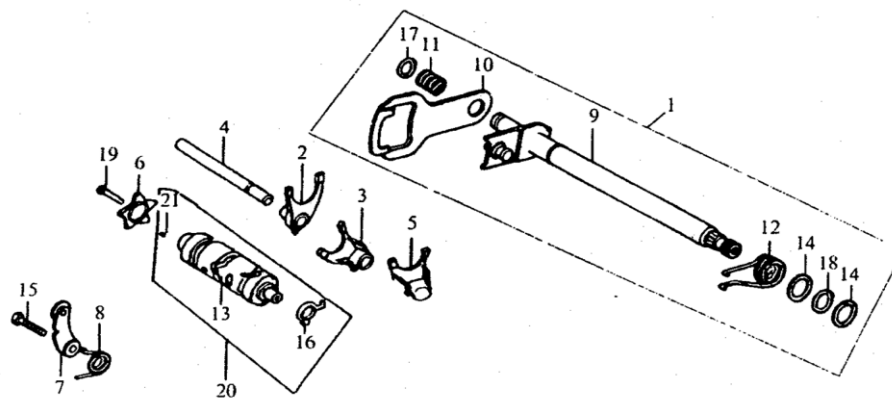
QUANTITY
1

A10 - GEAR SHAFT ASSY



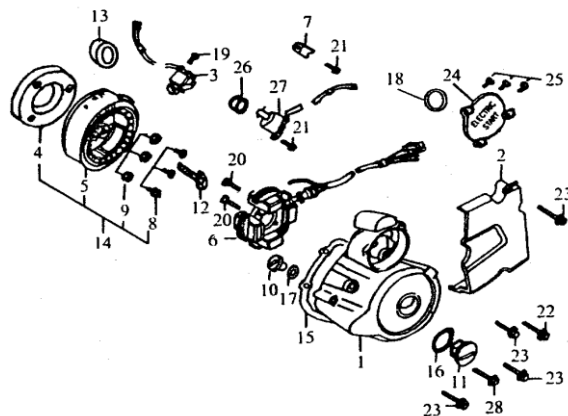
S.NO.	PART CODE	DESCRIPTION	QUANTITY
A10 - 1	FOOK000	GEARSHIFT SHAFT COMP	1
A10 - 2	FOOK061	FORK, GEAR SHIFT, R	1
A10 - 3	FOOK064	FORK, CENTER GEAR SHIFT	1
A10 - 4	FOOK073	SHAFT, GEAR SHIFT FORK	1
A10 - 5	FOOK065	FORK, GEAR SHIFT, L	1
A10 - 6	FOOK023	CAM, GEAR SHIFT	1
A10 - 7	FOOK070	DRUM STOPPER	1
A10 - 8	FOOH009	RESET SPRING	1
A10 - 9	FOOK001	SHAFT COMP	1
A10 - 10	FOOK002	GEAR SHIFT PLATE	1
A10 - 11	FOOK003	SPRING, GEAR SHIFT PLATE	1
A10 - 12	FOOK004	RESET SPRING	1
A10 - 13	FOOK066	DRUM, GEAR SHIFT	1
A10 - 14	FOOK005	WASHER	2
A10 - 15	578306020	BOLT M6×20	1

A10 - GEAR SHAFT ASSY



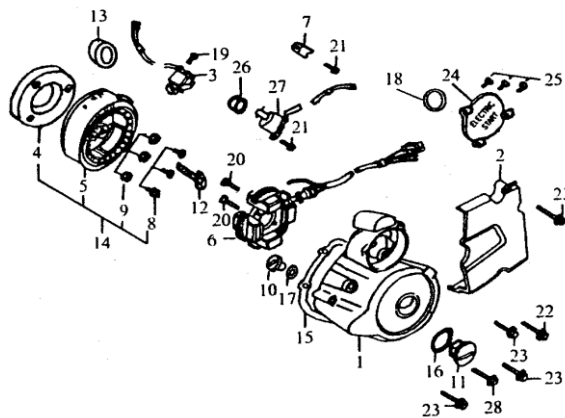
S.NO.	PART CODE	DESCRIPTION	QUANTITY
A10 - 16	F00K067	CONTACT SWITCH	1
A10 - 17	F00K006	CIRCLIP 12 MM	1
A10 - 18	F00K007	CIRCLIP 14 MM	1
A10 - 19	578306025	BOLT M6×25	1
A10 - 20	F00K060	GEARSHIFT DRUM COMP	1
A10 - 21	F00K008	PIN 4×10	1

A11 - LEFT CRANKCASE COVER/MAGNETO ASSY



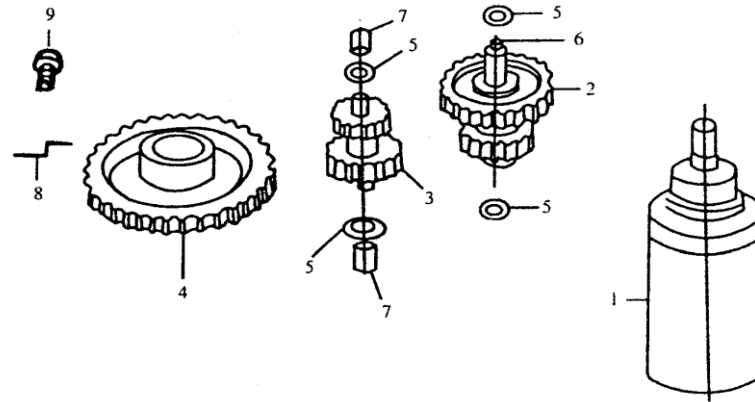
S.NO.	PART CODE	DESCRIPTION	QUANTITY
A11 - 1	F002A040	LEFT CRANKCASE COVER	1
A11 - 2	L00WG28	CHAIN GUARD, LEFT CRANK CASE	1
A11 - 3	F00D051	TRANSDUCER	1
A11 - 4	302G070	START CLUTCH BODY	1
A11 - 5	H09D060	ROTOR,MAGNETO	1
A11 - 6	H09D070	STATOR,MAGNETO	1
A11 - 7	F00L011	WIRE CLAMP	1
A11 - 8	7008030	SCREW M8×30	3
A11 - 9	D00L015	SPRING WASHER Ø8	3
A11 - 10	D00A042	PLUG, WATCH HOLE	1
A11 - 11	D00A043	COVER	1
A11 - 12	96010035	LOCK BOLT	1
A11 - 13	F00C013	OIL SEAL, CRANKSHAFT(50×34×7)	1
A11 - 14	H09D050	FLYWHEEL COMP	1
A11 - 15	F00B001	GASKET, LEFT CRANKCASE COVER	1

A11 - LEFT CRANKCASE COVER/MAGNETO ASSY



S.NO.	PART CODE	DESCRIPTION	QUANTITY
A11 - 16	D00C051	O-RING FOR PLUG 27.5×2.5	1
A11 - 17	D00C052	O-RING,WATCH HOLE PLUG 13.8×2.5	1
A11 - 18	F00C056	O-RING 63×3	1
A11 - 19	81805016	SCREW M5×16	2
A11 - 20	81805030	SCREW M5×30	3
A11 - 21	96006012	BOLT M6×12	2
A11 - 22	96006025	BOLT M6×25	2
A11 - 23	96006040	BOLT M6×40	6
A11 - 24	F001A045	UPPER COVER	1
A11 - 25	96006020	SCREW M6×20	3
A11 - 26	F00C045	NEUTRAL INDICATOR OIL SEAL	1
A11 - 27	F00D030	NEUTRAL INDICATOR	1
A11 - 28	96006050	BOLT M6×50	2

A12 - STARTING MOTOR ASSY




S.NO.	PART CODE	DESCRIPTION	QUANTITY
A12 - 1	H09D000	STARTING MOTOR ASSY	1
A12 - 2	H09K019	DOUBLE GEARS ASSY 1	1
A12 - 3	H09K018	DOUBLE GEARS ASSY 2	1
A12 - 4	H09K021	STARTING GEAR	1
A12 - 5	F00L023	WASHER	4
A12 - 6	H09K020	SHAFT	1
A12 - 7	2901010	ROLLER BEARING HK101410	2
A12 - 8	F00L027	GEAR STOPPER, START CLUTCH	1
A12 - 9	96006012	BOLT M6x12	1



Raybar

www.raybarmotorcycles.com

 /raybarmoto